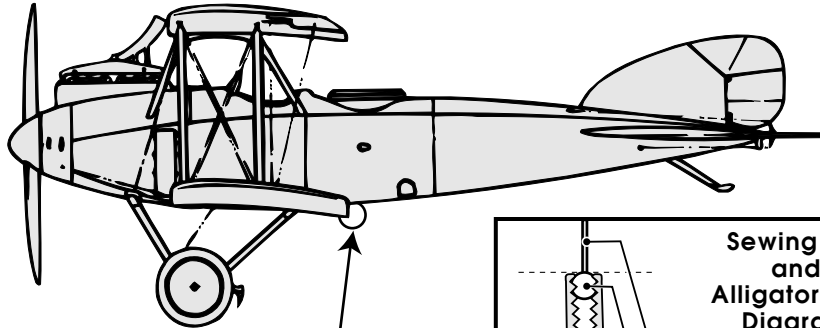


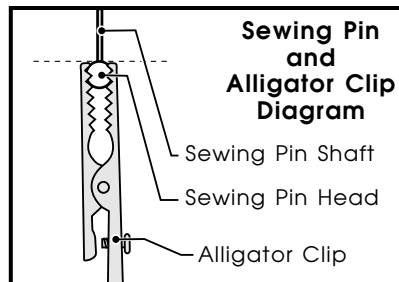
# THE SEWING PIN METHOD

USED IN CONJUNCTION WITH THE ALLIGATOR CLIP SYSTEM



## PIN IN PLACE

Optional: Pin head can be allowed to protrude slightly to give better grip.



## Sewing Pin and Alligator Clip Diagram

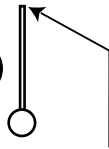
### SEWING PINS

Cost about: \$1.00 per pack Cnd)  
x100 Stainless Steel pins per pack

①



②



Remove pin shaft top to leave a length of between 7mm and 15mm.

③



Before painting the model: make a hole in the bottom of the model\* and then insert the pin; use model glue to secure pin in place.

NOTE: Pins come in various sizes; The larger sized pins seem to work best although these are harder to obtain. Wooden beads have also been used, but the Alligator Clips tend to destroy these after a short time of use.

\* Use a heated pin to melt this hole in plastic models.



Push pins may also be used. However, few people have used these so its too early to say if this is a workable solution. Model glue will strengthen the bond to the model.

### The Pros:

- Cost about 1¢ each (or less).
- Hardly noticeable once placed.
- With model glue, can be held firmly in place.
- Can be painted.
- Large pins offer very good hold with Alligator Clips.

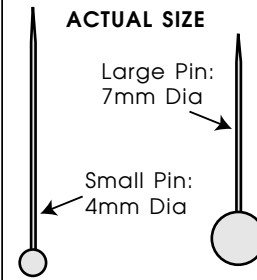
### The Cons:

- Not possible to attach Smoke/Fire indicators to pin head, although these can attach directly to the Alligator Clip.
- Pin head tends to break after long use (larger sized pins fair better).
- Doesn't always allow model sit straight.
- Can be awkward to attach.
- Hard to replace broken pin.

### ACTUAL SIZE

Large Pin:  
7mm Dia

Small Pin:  
4mm Dia



### ALLIGATOR CLIP (Actual Size)

