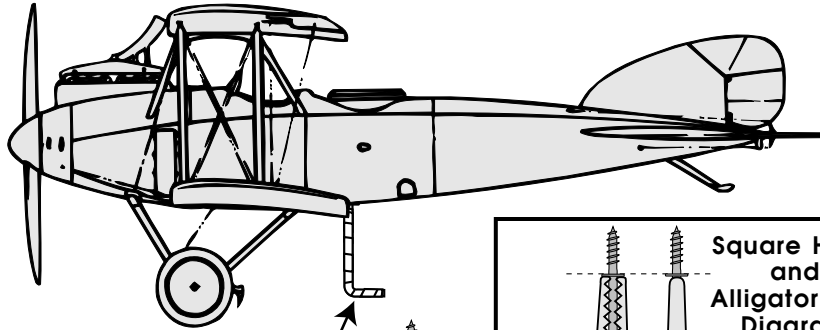


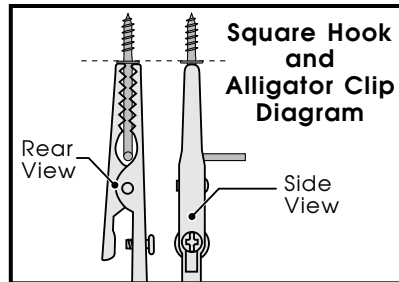
# THE SQUARE HOOK METHOD

USED IN CONJUNCTION WITH THE ALLIGATOR CLIP SYSTEM



SQUARE HOOK IN PLACE  
Note: Hook faces  
towards back of model

Optional Square Hook system



**1** **SQUARE HOOK**  
(From Canada Tire)  
PART# 13655 61-6030-6  
7/16"  
**HOOK PACK: \$1.29 (Cnd \$\$)**  
x10 Brass Hooks per pack

**2** **20lb LASER/PHOTOCOPY PAPER\***  
USING PAPER AND  
WHITE GLUE,  
WRAP PAPER  
AROUND HOOK

**3** **4** **A**  
Optional:  
See Step A/B;  
can leave  
hook end  
bare or not

\* Some people are using white medical tape

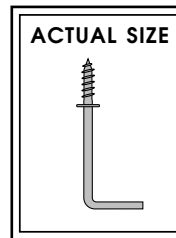
**The Pros:**

- 13¢ each
- Very solid; will out last push pin/sewing pin system;
- Will not fall out or fall apart.
- Alligator Clip clamps on easily and provides a very solid grip.
- Smoke/Fire indicators clip on easily and well.

**The Cons:**

- Must be screwed in straight or airplane model will sit on an angle.

Optional Method (A/B) creates a solid grip for the Alligator Clip, and a clip area for a Fire/Smoke Indicator; wrap double thick paper and glue using white wood glue.



ALLIGATOR CLIP (Actual Size)

